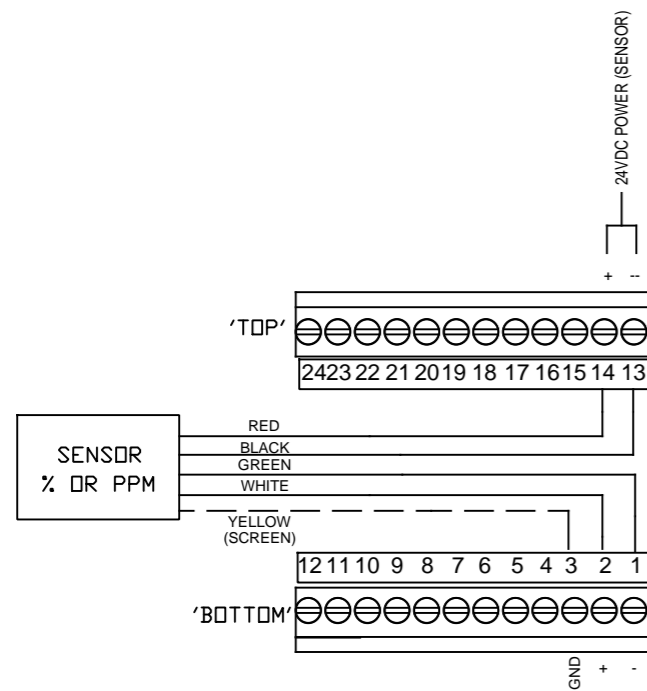
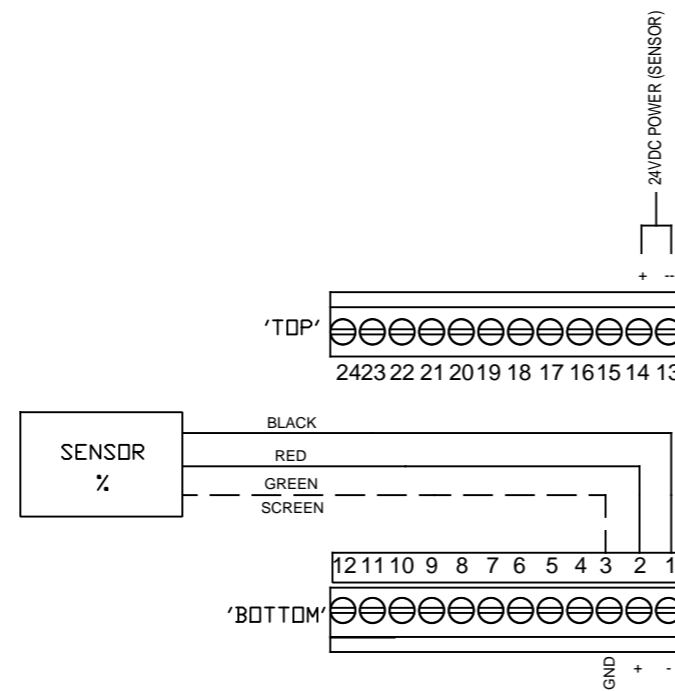


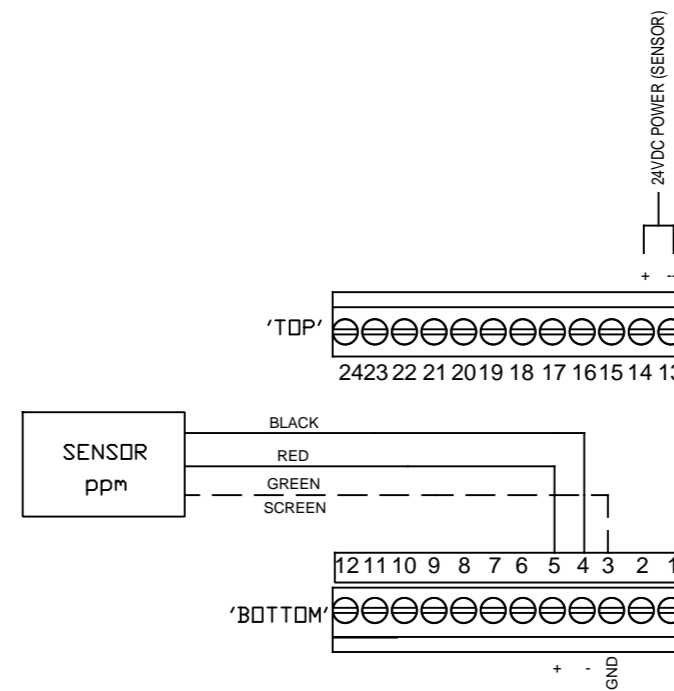
MICROX PANEL MOUNT ANALYSER



ZIRCONIA SENSOR CONNECTION OPTION



ELECTROCHEMICAL % SENSOR CONNECTION OPTION



ELECTROCHEMICAL ppm SENSOR CONNECTION OPTION

ALL DIMENSIONS IN MM
THIRD ANGLE PROJECTION

REV.	DESCRIPTION	DRN.	CHD.	APP.



TITLE: MICROX PANEL MOUNT ANALYSER
GENERAL DETAIL DRAWING

S.O. NO.	NOT VALID	DRAWING NUMBER	DRN.	CHD.	APP.	REV.
Q.No.	NOT VALID	SD018	CH	MW	MW	0
SCALE	N.T.S.					
DATE	29-08-2019	PAGE 1	OF	1		